



S1A4171502

⚠️ DANGER

HAZARD OF ELECTRIC SHOCK, EXPLOSION, OR ARC FLASH

- Read and understand this quick start guide before performing any procedure with this drive.
 - The user is responsible for compliance with all international and national electrical code requirements with respect to grounding of all equipment.
 - Many parts of this drive, including the printed circuit boards, operate at the line voltage. **DO NOT TOUCH.** Use only electrically insulated tools.
 - **DO NOT** touch unshielded components or terminal strip screw connections with voltage present.
 - **DO NOT** short across terminals PA/+ and PC/- or across the DC bus capacitors.
 - Before servicing the drive:
 - Disconnect all power, including external control power that may be present.
 - Place a "DO NOT TURN ON" label on all power disconnects.
 - Lock all power disconnects in the open position.
 - **WAIT 15 MINUTES** to allow the DC bus capacitors to discharge.
 - Measure the voltage of the DC bus between the PA/+ and PC/- terminals to ensure that the voltage is less than 42 Vdc.
 - If the DC bus capacitors do not discharge completely, contact your local Schneider Electric representative. Do not repair or operate the drive
 - Install and close all covers before applying power or starting and stopping the drive.
- Failure to follow these instructions will result in death or serious injury.**

Electrical equipment should be installed, operated, serviced, and maintained only by qualified personnel. No responsibility is assumed by Schneider Electric for any consequences arising out of the use of this product.

Information below is designed to use **single drive** connected to **single asynchronous motor with a motor cable length less than 50 meters (164 ft).**

In any other case, consult the ATV32 installation manual (S1A28686) and programming manual (S1A28692) on www.schneider-electric.com. Check your cables before connecting the drive with motor (length, power, shielded or unshielded). Motor cable length is _____ (< 50 meters, 164 ft)

1 Check the delivery of the drive

- Remove ATV32 from the packaging and check that it has not been damaged.

⚠️ WARNING

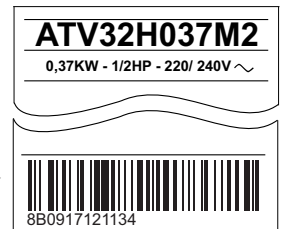
DAMAGED DRIVE EQUIPMENT

Do not operate or install any drive or drive accessory that appears damaged. **Failure to follow these instructions can result in death, serious injury, or equipment damage.**

- Check that the drive reference printed on the label is the same as that on the delivery note corresponding to the purchase order.

Write the drive Model Reference: _____ and Serial Number: _____

- For ATV32H0●●M2, H0●●N4, HU1●N4, ATV32HU●●M2, ATV32HU22N4, U30N4, U40N4, remove the output connector from the packaging and check that it has not been damaged.

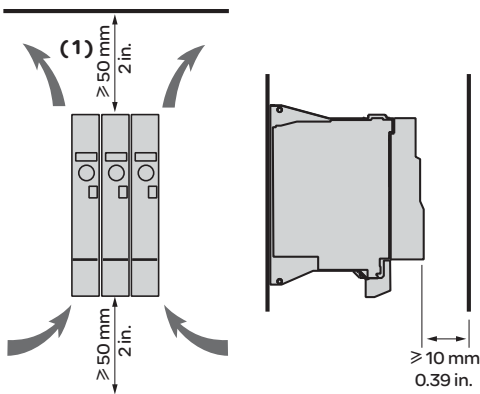


2 Check the line voltage compatibility

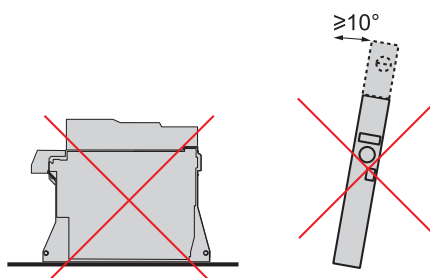
- Check that the **line voltage** is compatible with the supply range of the drive.
 Line voltage _____ Volts Drive voltage range _____ Volts
 Drive range: ATV32●●●M2 = 200 ... 240 V single phase - ATV32●●●N4 = 380 ... 500 V three-phase

3 Mount the drive vertically

For a surrounding air temperature up to 50 °C (122°F), see installation manual (S1A28686) on www.schneider-electric.com for other thermal conditions.

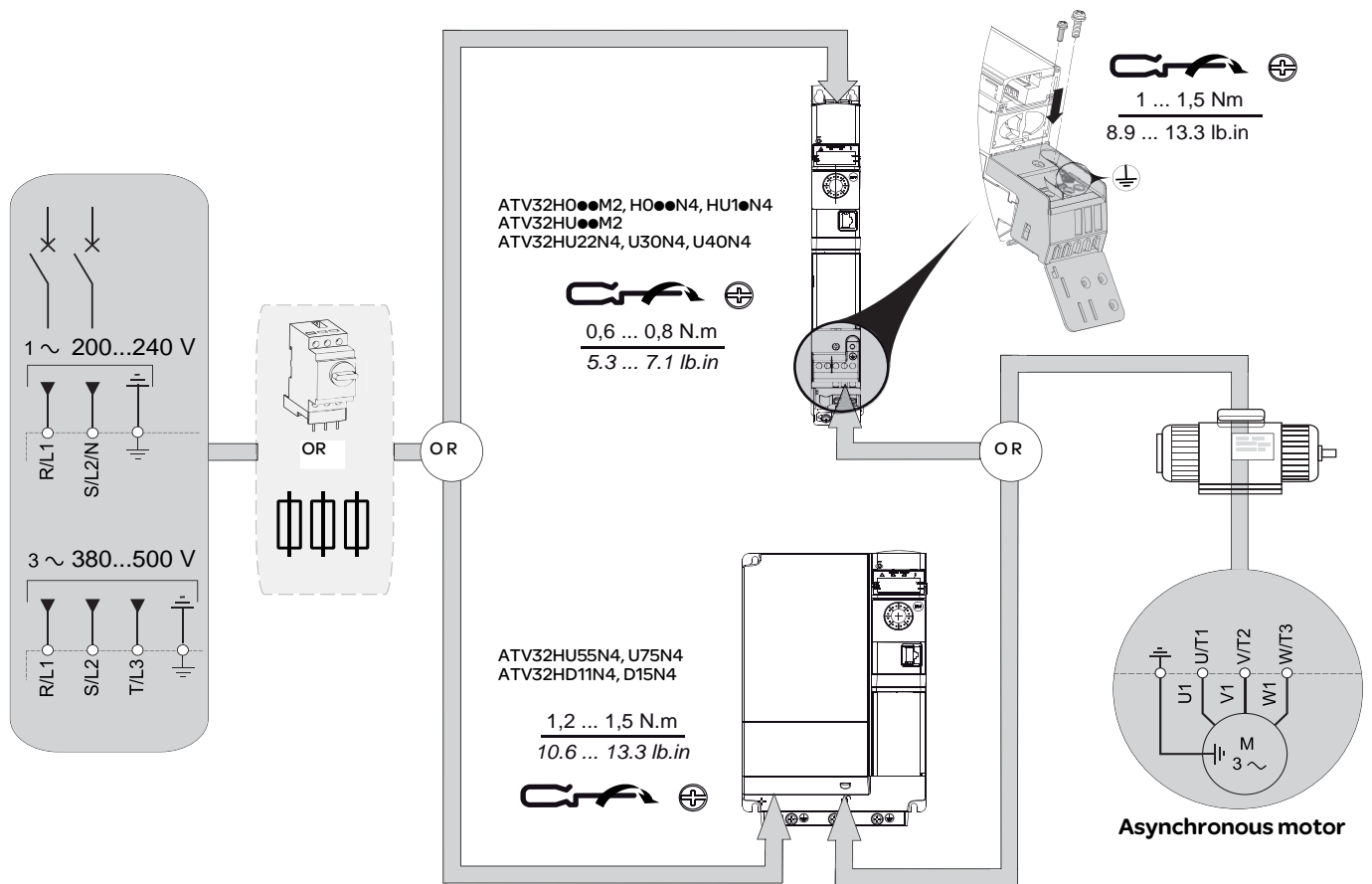


(1) Minimum value corresponding to thermal constraint. On ATV32H0●●M2, H0●●N4, HU1●N4, ATV32HU●●M2, ATV32HU22N4, U30N4, U40N4, a 150 mm (5.9 in) clearance may help to connect the ground.



4 Connect the drive: Power

- Wire the drive to the ground.
- Check circuit breaker rating or fuse rating.
- Check that the motor voltage is compatible with the drive voltage. Motor voltage _____Volts.
- Wire the drive to the motor.
- Wire the drive to the line supply.



⚠️ DANGER

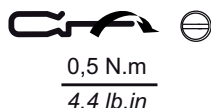
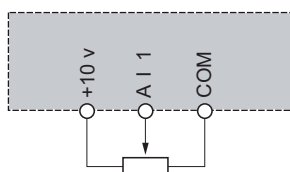
HAZARD OF FIRE OR ELECTRIC SHOCK

- To avoid overheating or loss of contact, connections must be carried out according to the cable sizes and tightening torques visible on the label stuck on the ATV32.
- The use of multi-wire cable without a lug is forbidden for the mains connection.
- For ATV32H0●●M2, H0●●N4, HU1●N4, ATV32HU●●M2, ATV32HU22N4, U30N4, U40N4, the stripping length of the output power and braking resistor cables must be shorter than 10 mm (0.39 in.)
- Carry-out a pull out test to check that terminal screws are correctly tighten.

Failure to follow these instructions will result in death or serious injury.

5 Connect the drive: Control by external reference (Fr I = R I I)

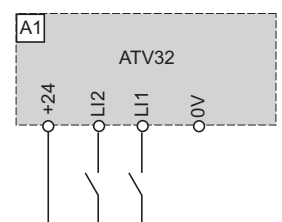
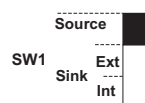
- Wire the speed reference:



- Wire the command:

Control command 2-wire: Parameter $tcc = 2c$

L11: forward
L12: reverse



6 Apply power to the drive

- Check that used Logic Inputs are not active (LI1, LI2 see drawing 5).
- Apply power to the drive.
- At first power up, drive displays *bFr*, in the menu *5 IN - [SIMPLY START]*

7 Set motor parameters for asynchronous motor (2).

- See on the motor Nameplate to set the following parameters.

Menu	Code	Description	Factory setting	Customer setting
<i>CONF > FULL > 5 IN - [SIMPLY START]</i>	<i>bFr</i>	[Standard mot. freq]: Standard motor frequency (Hz)	<i>50.0</i>	
	<i>nPr</i>	[Rated motor power]: Nominal motor power on motor nameplate (KW)	drive rating	
	<i>UnS</i>	[Rated motor volt.]: Nominal motor voltage on motor nameplate (V)	drive rating	
	<i>nCr</i>	[Rated motor current.]: Nominal motor current on motor nameplate (A)	drive rating	
	<i>Frs</i>	[Rated motor freq.]: Nominal motor frequency on motor nameplate (Hz)	<i>50.0</i>	
	<i>nSP</i>	[Rated motorspeed]: Nominal motor speed on motor nameplate (rpm)	drive rating	
	<i>Ith</i>	[Mot. therm. current]: Nominal motor current on motor nameplate (A)	drive rating	

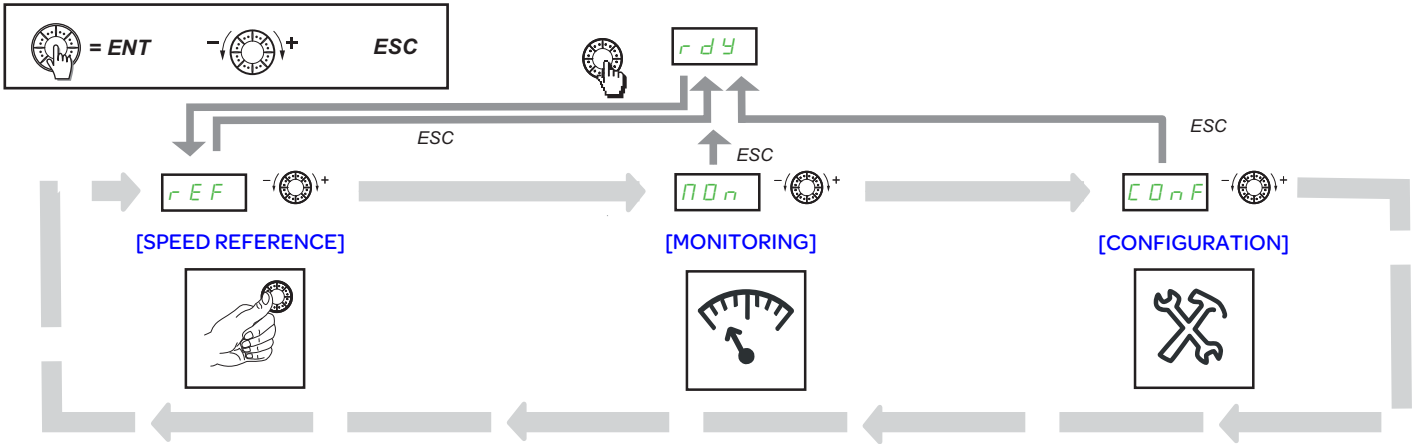
(2)for synchronous motor, consult the ATV32 programming manual (S1A28692) on www.schneider-electric.com.

8 Set basic parameters

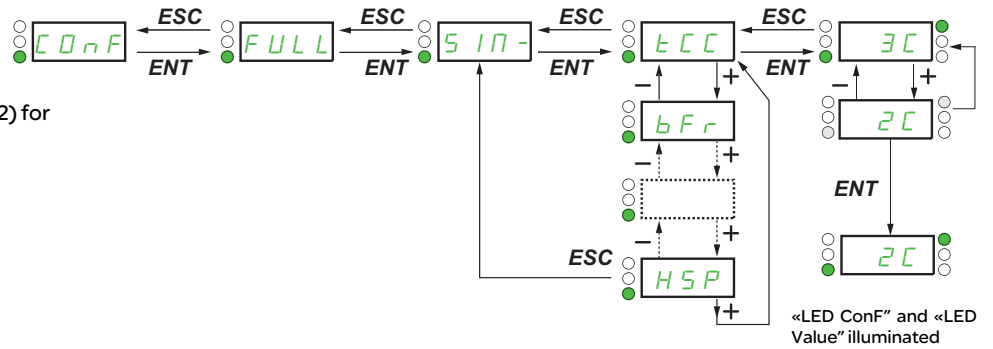
Menu	Code	Description	Factory setting	Customer setting
<i>CONF > FULL > 5 IN - [SIMPLY START]</i>	<i>ACC</i>	[Acceleration]: Acceleration time (s)	<i>3.0</i>	
	<i>DEC</i>	[Deceleration]: Deceleration time (s)	<i>3.0</i>	
	<i>LSP</i>	[Low speed]: Motor frequency at minimum reference (Hz)	<i>0.0</i>	
	<i>HSP</i>	[High speed]: Motor frequency at maximum reference (Hz)	<i>50.0</i>	

9 Start the motor

10 Annex: Menu structure



A dash appears after menu codes to differentiate them from parameter codes. Example: **[SIMPLY START] 5 1n-**, **tCC** parameter.



Refer to the programming manual (S1A28692) for comprehensive menu description.